



PLHOOPS2
Design by Giovanni Barbato

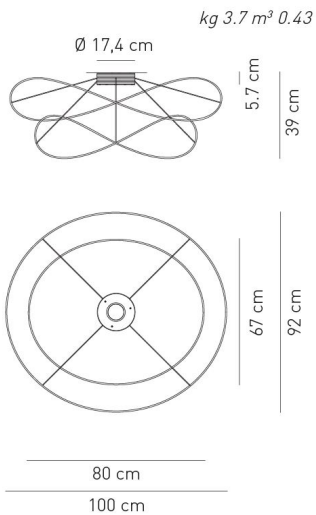
Collection consisting of ceiling lamps and suspended lamps with interchangeable elements in different shapes and sizes. Gold or black finish. Built-in dimmable LED light source.

Typology: CEILING LAMP

Ratings

- Built in line voltage **LED** module
- CCT 3000 K
- Downlight
- Surface installation over holes
- Supply voltage ~220-240V
- Switch mode: on-off, dimmable trailing edge

Product code composition

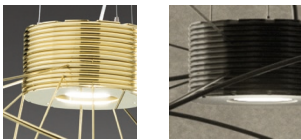


HOOPS

Type	Article	Colours / Finish	Source
PL	HOOPS 2	OR gold / OR gold NE black / NE black	LED 17W - diffused beam 3000K other CCT options available upon request

220-240VAc **LED** ~1330 lm 78 lm/W
 example composition code PL HOOPS2 NE NE LED

Available colors



OR
Gold

NE
Black

EELc (Energy Efficiency Label compatibility) contain built in LED lamps that cannot be changed: A, A+, A++

PLHOOPS2 _____ LED

NOTICE:

Luminous flux (lm) and efficacy (lm/W) for all LED luminaires is based on nominal ratings of the LED sources. Technical data could be subject to alteration without notice. Axo Light does not provide legal guarantee for the accuracy of this data sheet.