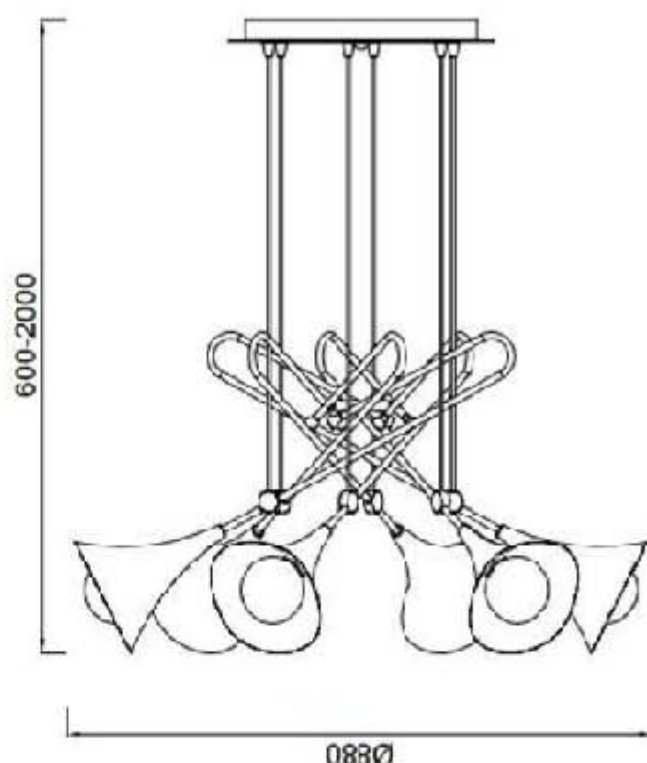


# Jazz 5895 by MANTRA

ARCHITONIC ID 1496498



## CONCEPT

"Jazz" is the formal distillation of elegance and style of the 50's as a shape of constructive rhythm. Close your eyes. Imagine that you are in New York, hanging around and some musical notes come out of a club. Imagine a counterpoint of sensations, strolling along the Akasaka suburb in Tokyo, and within that chaos, you find an oasis of peace with melodic notes, surrounded by wood and pictures on ancient glories. "Jazz" is formally inspired on trumpets, saxophones and classical trombones, with unique details of this music style. It plays with the "Vintage" aesthetics and it is inspired on it to convey its warm shapes.

## KEY FACTS

**Product:** Jazz 5895

**Family:** Jazz

**Manufacturer:** MANTRA >

**Designer:** Santiago Sevillano >

**Order number:** 5895

**Architonic ID:** 1496498

**Country:** Spain

**Launched:** 2017

## PRODUCT DESCRIPTION

E27 MAX 6x20W - 220/240V (no incl.)

Gold

Black Wire