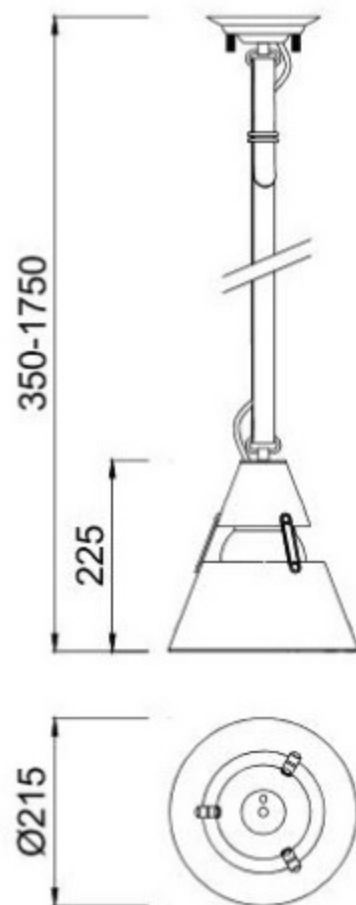




5432



5442



## Mantra INDUSTRIAL -

### Pendant lamp small model 21,5 cm -

#### REF.5442 Colgante - Pendant Lamp

E27 1x40W - 220/240V (no incl.)

Metal Óxido - Oxide Metal

Correa Negra - Black Belt

#### REF.5432 Colgante - Pendant Lamp

E27 1x40W - 220/240V (no incl.)

Metal Arena - Sand Metal

Correa Beige - Beige Belt

#### Description

### Mantra INDUSTRIAL - Pendant lamp small model 21,5 cm - color sand

Reviewing the industrial aesthetic , recovering materials and ways of another era , combined with aging finishes, result in timeless designs with retro flavour. It produces a " deja vu" where the unconscious of the past enriches our present. Fabric straps used to hang the lamps, provide a warm touch that softens the industrial component and gives the idea of hand made, recovery product, almost as if it were recycled . Right now surpassed minimalism, we surround ourselves with objects that tell us a story, that bring us experience and join us in the future.

This INDUSTRIAL model is designed for 1 bulb E27 max 40W (not included)

Article: 5432  
Brand: Mantra  
Collection: INDUSTRIAL  
Type of lighting: Pendant light  
Color: sand  
Height: variable between 35 and 175 cm  
Diameter: 21,5 cm  
Material: metal with fabric straps  
Bulb type: 1 x E27 max 40W (not included)  
Bulb base: 1 x E27 max 40W  
IP protection: IP 20  
Usage: indoor  
Voltage: 220/240V  
Garantee: 2 years

