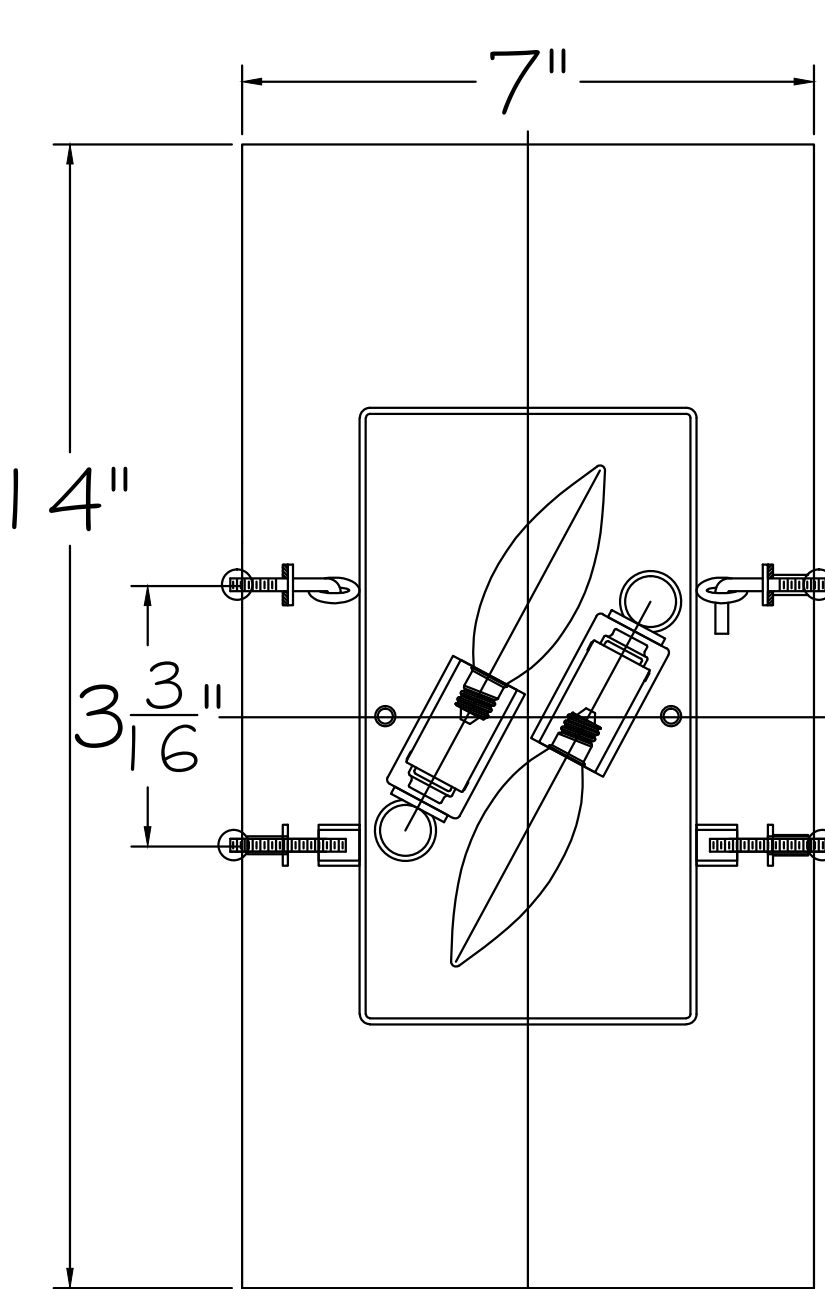
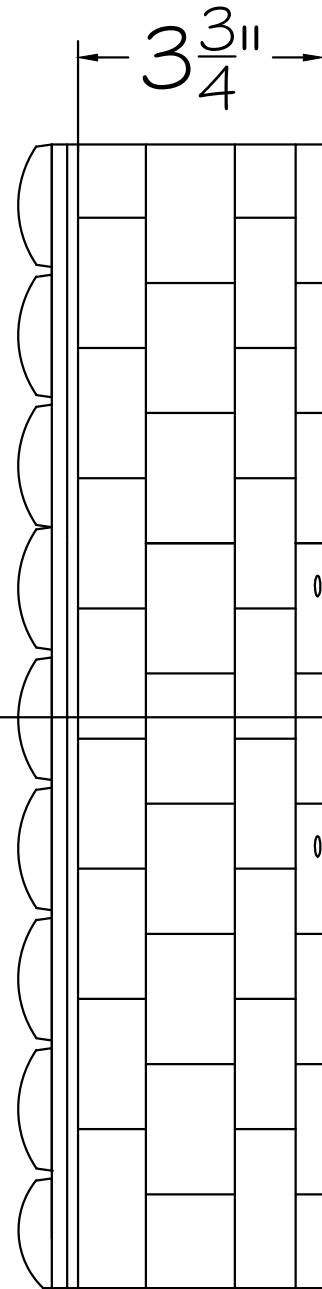


CUSTOMER REFERENCE DRAWING

REV.	ECN # IF APPLIC.	REVISION DESCRIPTION	REQ. BY	DRAFTER	DATE
1	NA	ORIGINAL RELEASED VERSION	NA	JE	06/24/13



FRONT VIEW



SIDE VIEW



This drawing and specifications are the exclusive property of FINE ART LAMPS® issued in strict confidence and shall not, without the prior written permission of FINE ART LAMPS® be produced, copied or used for any purpose whatsoever except the manufacture articles for FINE ART LAMPS®
 www.fineartlamps.com
 TEL:(305) 821-3850 FAX:(305) 821-1564

STYLE NUMBER: 8422505T

PART NUMBER:

SCALE: N.T.S.

DRAFTER: JE

STYLE ENGINEER: IAN

DATE: 06/24/13

REVISION: 1

SHEET: 1 / 1