

Itka 20 Table Stem

Naoto Fukasawa

PRODUCT CODE: DX0060L10

FEATURES

- Article Code: **DX0060L10**
- Colour: **White**
- Installation: **Table**
- Material: **Blown glass, steel**
- Series: **Design Collection, Danese**
- Environment: **Indoor**
- design by: **Naoto Fukasawa**

DIMENSIONS

- Height: **cm 8.5**
- Diameter: **cm 20**
- Base Diameter: **cm 20**
- Max Extension Height: **cm 22**

NOT INCLUDED SOURCES

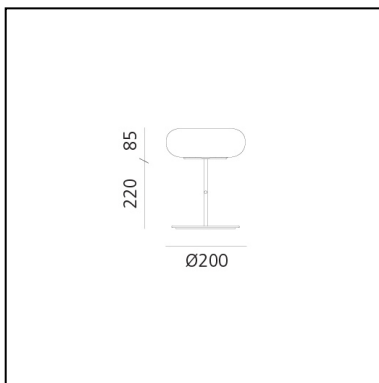
- Category: **FLUO**
- Number: **1**
- Watt: **9W**
- Socket: **Gx53**
- Class: **A**

ALTERNATIVE SOURCES

- Category: **LED RETROFIT**
- Number: **1**
- Watt: **5W**
- Socket: **Gx53**



IP20  



LUMINAIRE

- Watt: **#N/DW**
- Delivered lumens output: **253lm**
- CCT: **0K**
- Efficiency: **70%**
- Efficacy: **28.07lm/W**
- CRI: **0**