

## PRODUCT DATA SHEET

### Droplet Suspension



#### DESIGN BY:

Ross Lovegrove  
2007

#### MATERIALS:

Die-cast aluminium

#### DESCRIPTION:

Lamp available in suspension and ceiling versions. "Droplet is a ceiling light that appears as a pool of liquid aluminium reflecting two light pebbles. It has been generated totally by digital means and freezes in time the act of ripples that cross each other to define reflective zones and acting as a form of liquid dichroic." Materials: die-cast aluminium lighting units; die-cast aluminium reflector.

#### SELECT

HALO

Polished chrome / Aluminium

#### PRODUCT CODE

1399010A

#### Light emission



#### Dimmable

#### TECHNICAL DATA SHEET

#### FEATURES

Product name:	Droplet Suspension
Article Code:	1399010A
Colour:	Polished chrome / Aluminium
Material:	Die-cast aluminium
Series:	Design, Hydro
Environment:	Indoor

#### OPTICS

Emission:	Indirect
-----------	----------

#### DIMENSIONS

Height:	cm 50
Diameter:	cm 110
Max Height from ceiling:	cm 200
Impact Resistance:	N/D
Glow Wire Test:	650 °

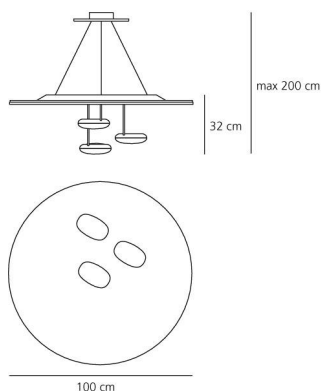
#### LAMPS INCLUDED

Category:	HALO
Number:	3
Lbs:	Qt-de12
Watt:	160W
Socket:	R7s
Type:	Hdg
Luminous Flux (lm):	3300lm
Colour Rendering:	1a
Colour temperature (K):	2950K
Duration (h):	2000h

#### LUMINAIR

Watt:	480W
Voltage:	220V-240V

#### DIMENSIONS



#### COLOUR

